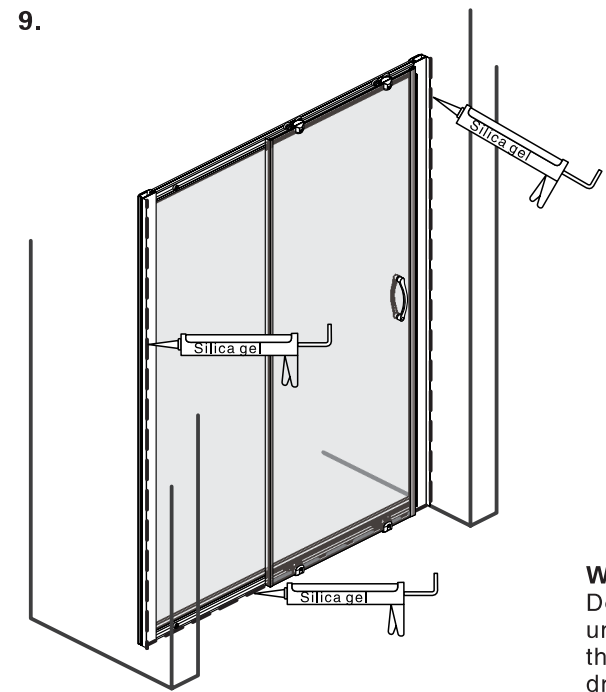
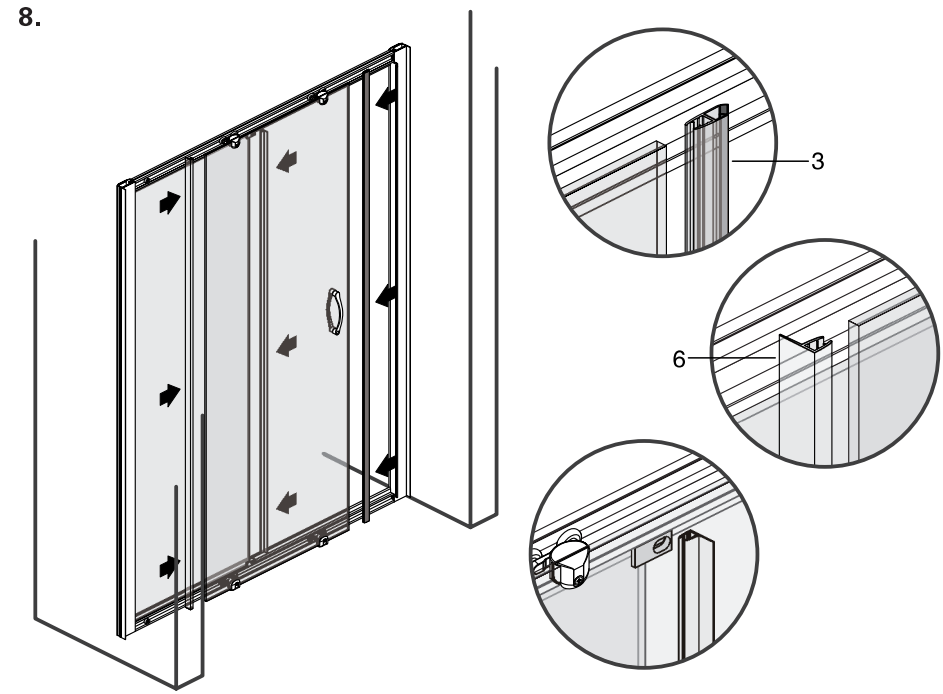
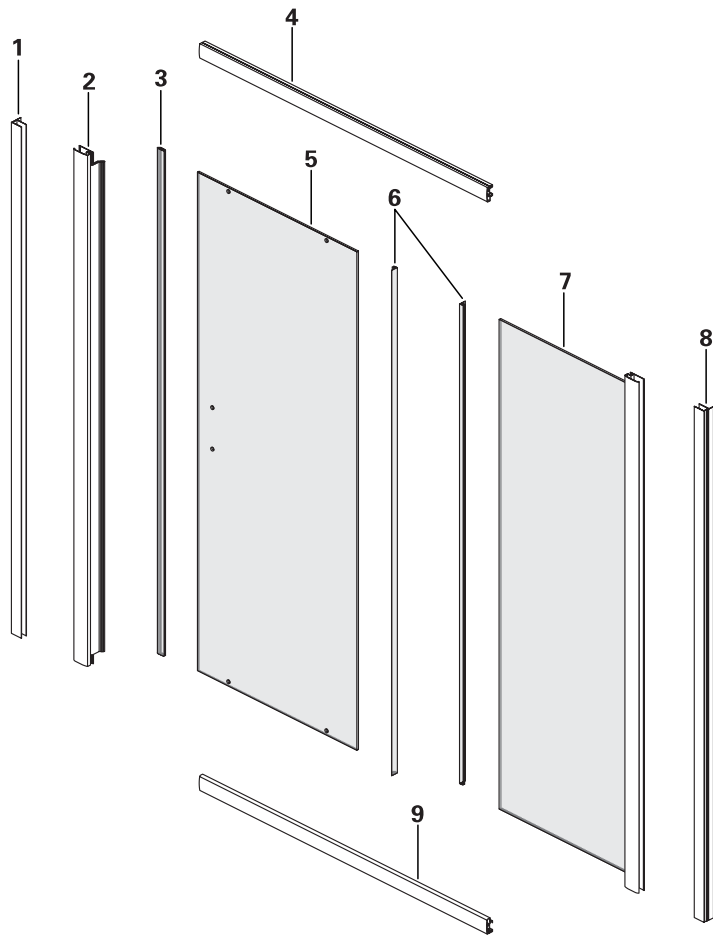


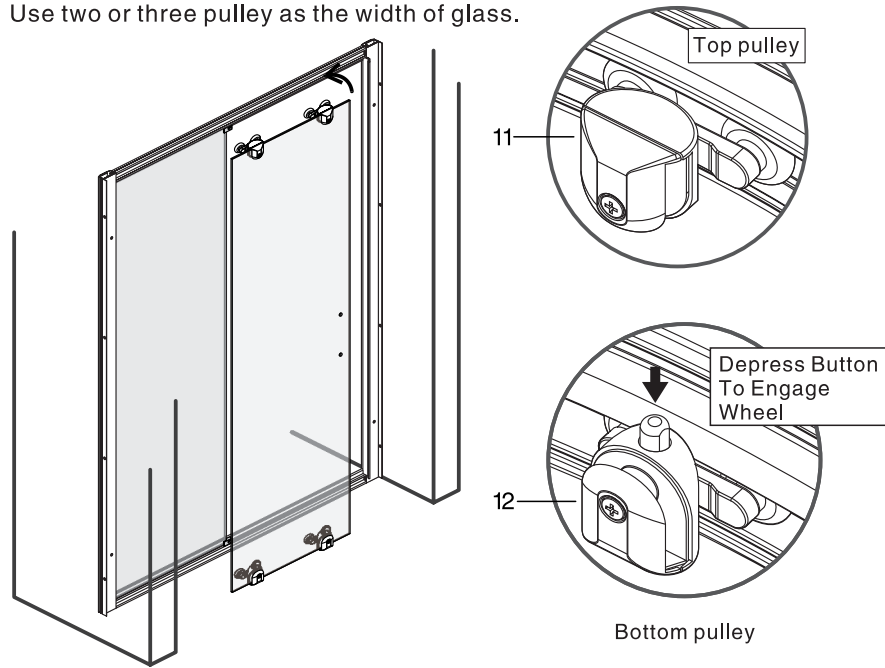
Slide



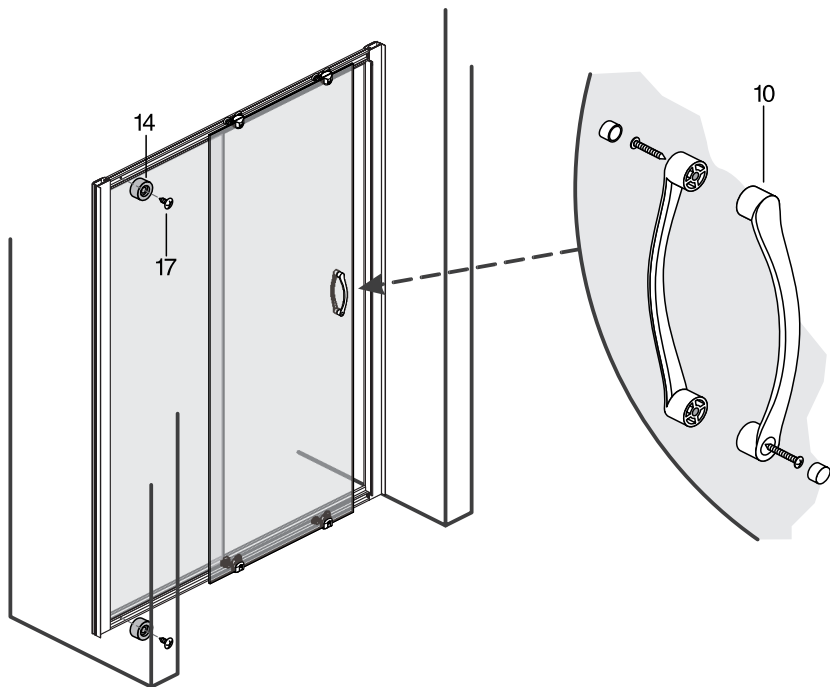
10		1	15		8
11		2	16	$\varnothing 4 \times 30\text{mm}$	16
12		2	17	$\varnothing 4 \times 10\text{mm}$	6
13		2	18	$\varnothing 4 \times 10\text{mm}$	2
14		2	19		12

**Warning:**  
Don't use the shower enclosure until after at least 24 hours, so that the silica gel can be totally dry.

6. Use two or three pulley as the width of glass.

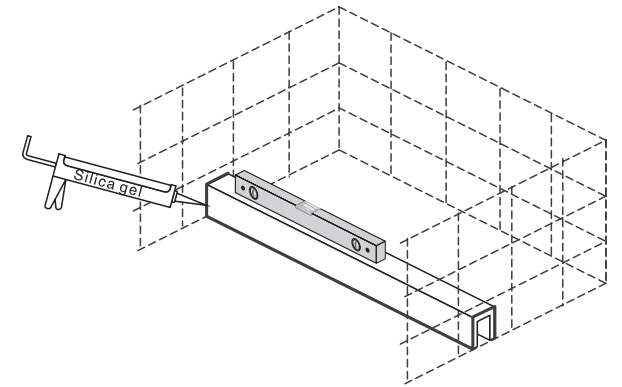


7.

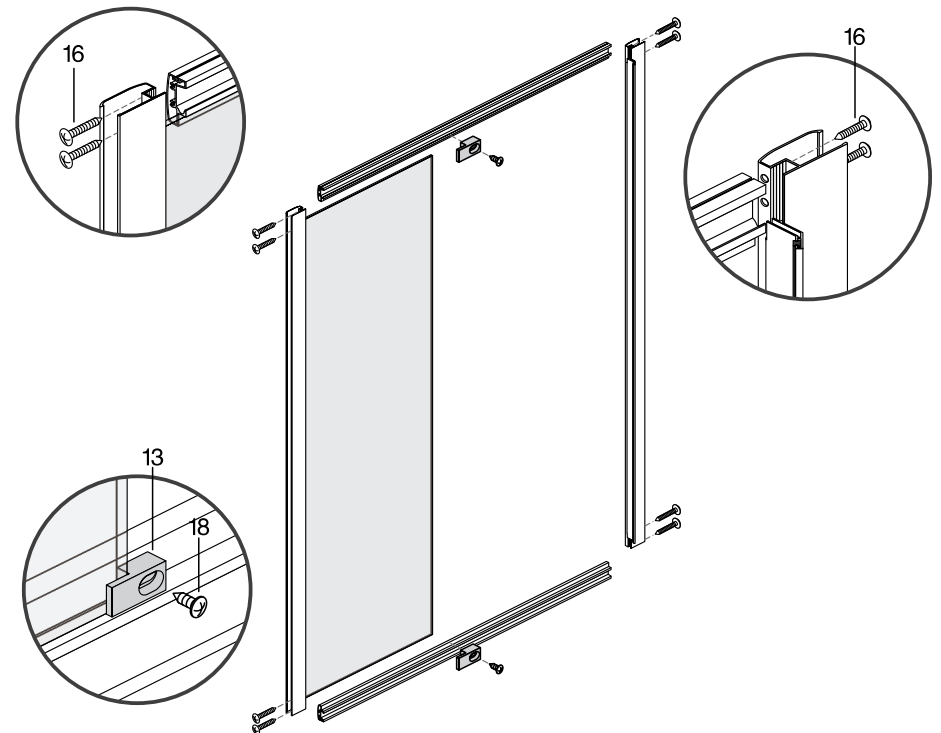


## 1. Installation of sill

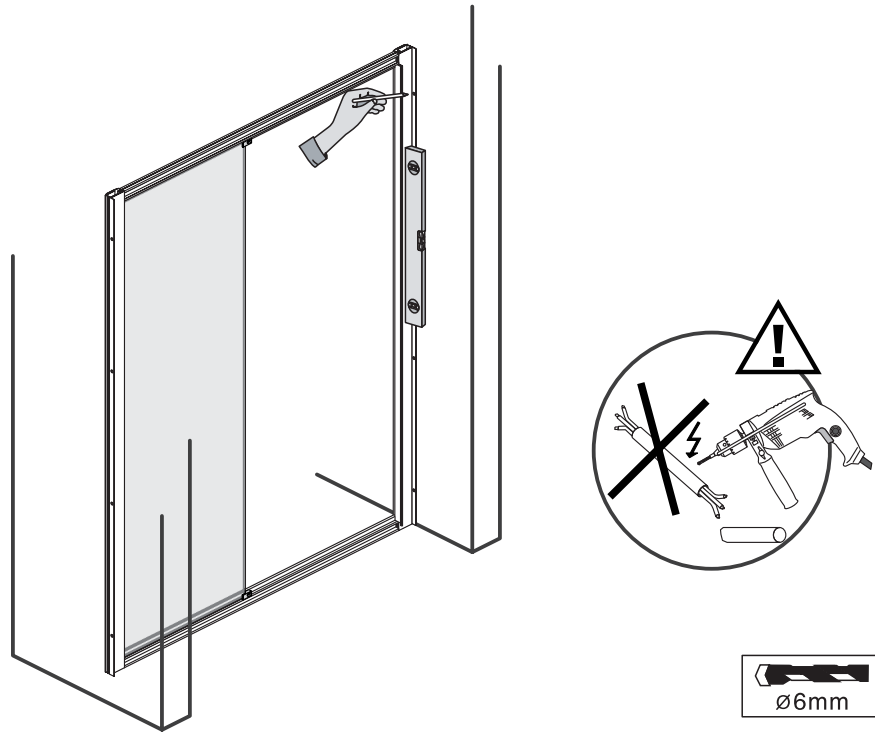
- 1). Put the sill on the fixed place.
- 2). Check the sill's levelness, Use the glue to fixed the edge of sill after adjustment.



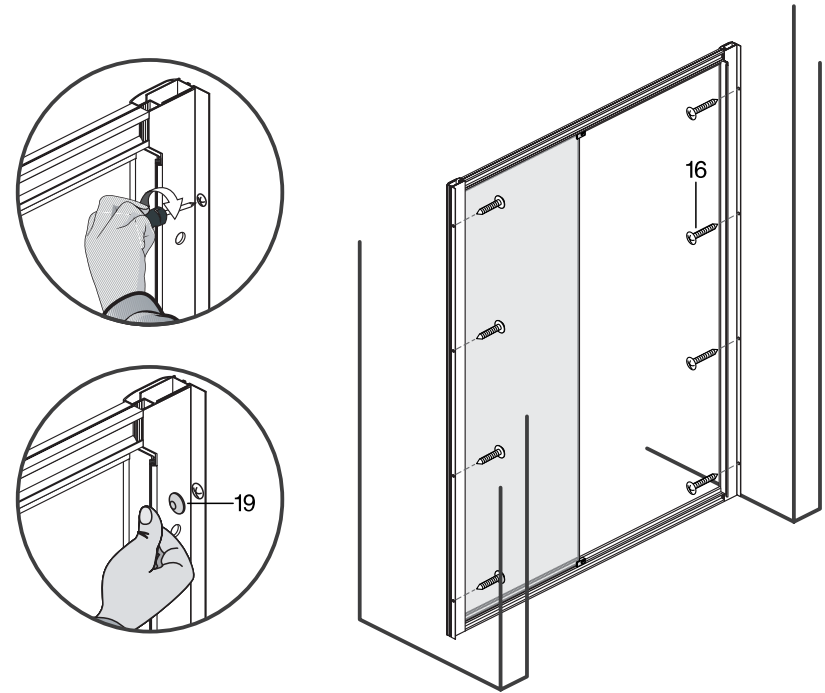
## 2. The installation of fixed glass



3.



4.



5.

