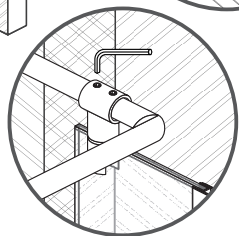
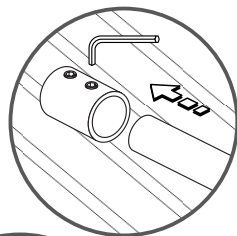
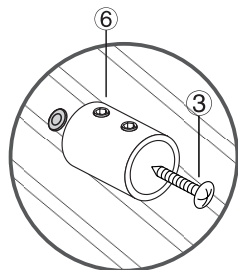
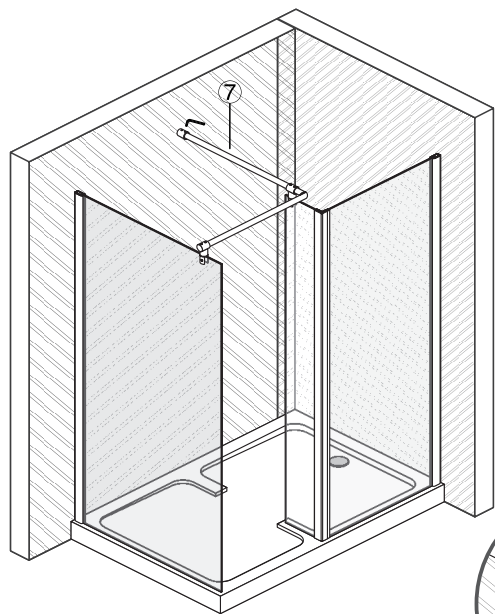
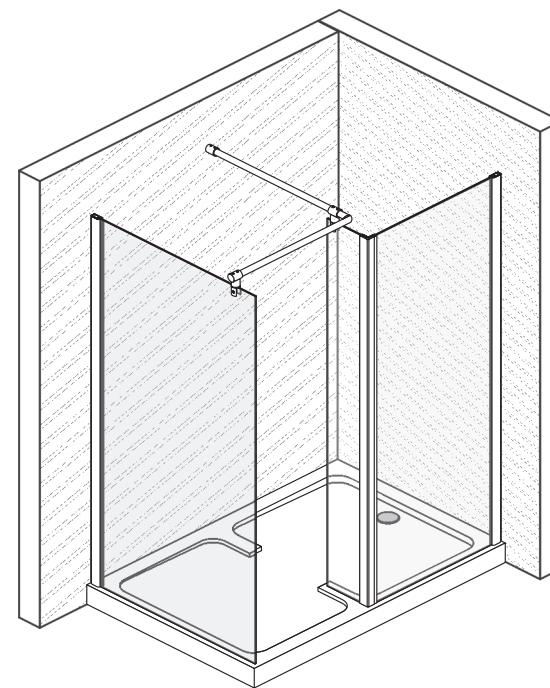


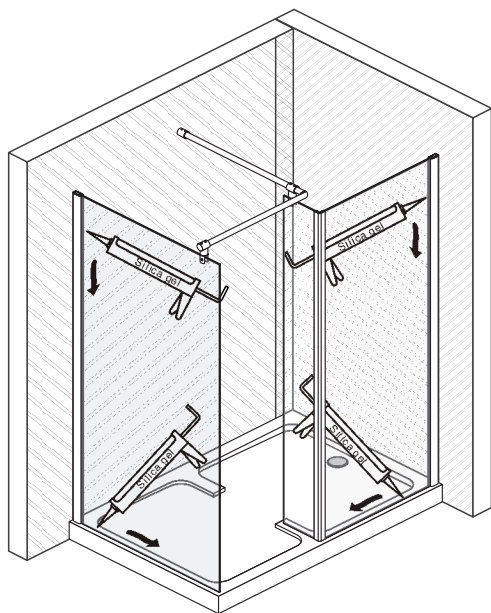
7.



COMFORT



8.



Warning:
 Don't use the shower enclosure until after at least 24 hours, so that the silica gel can be totally dry.

General Information

Please inspect the product immediately upon receipt for transit damage, missing packs/parts or manufacturing fault. Damage reported later cannot be accepted. Please handle the product with care avoiding knocks and shock loading to all sides and edges of the glass.

Notes: Safety glass can not be re-worked.

Please read these instructions carefully before start of installation. Special care should be taken when drilling walls to avoid hidden pipes or electrical cables.

Note: This products is heavy and may require two people to install

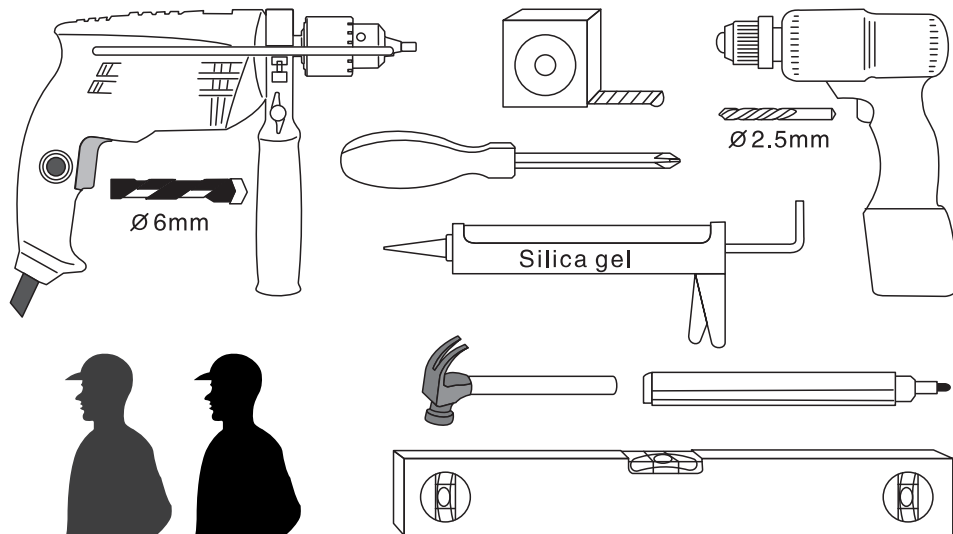
Aftercare instructions

After use, your shower should be cleaned with soap and water. This is particularly important in hard water districts where insoluble lime salts may be deposited and allowed to build up. Cleaners of a gritty or abrasive nature should not be used. Care should be taken to avoid contact with strong chemicals such as organic solvents and strippers.

Glass cleaners can be used but with caution, if in doubt contact the manufacturer of the cleaner in question.

Please keep these instructions for aftercare and customer service details.

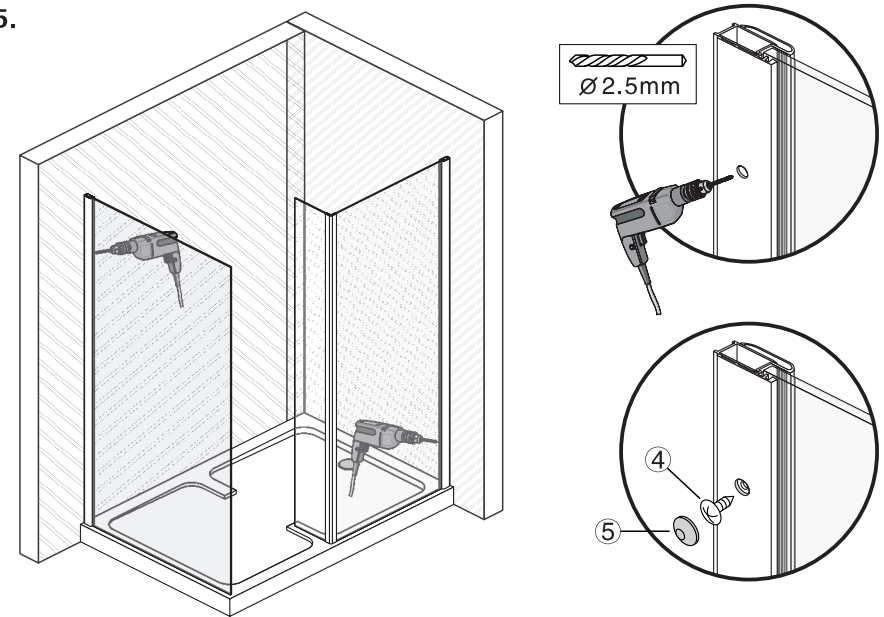
Tools Required



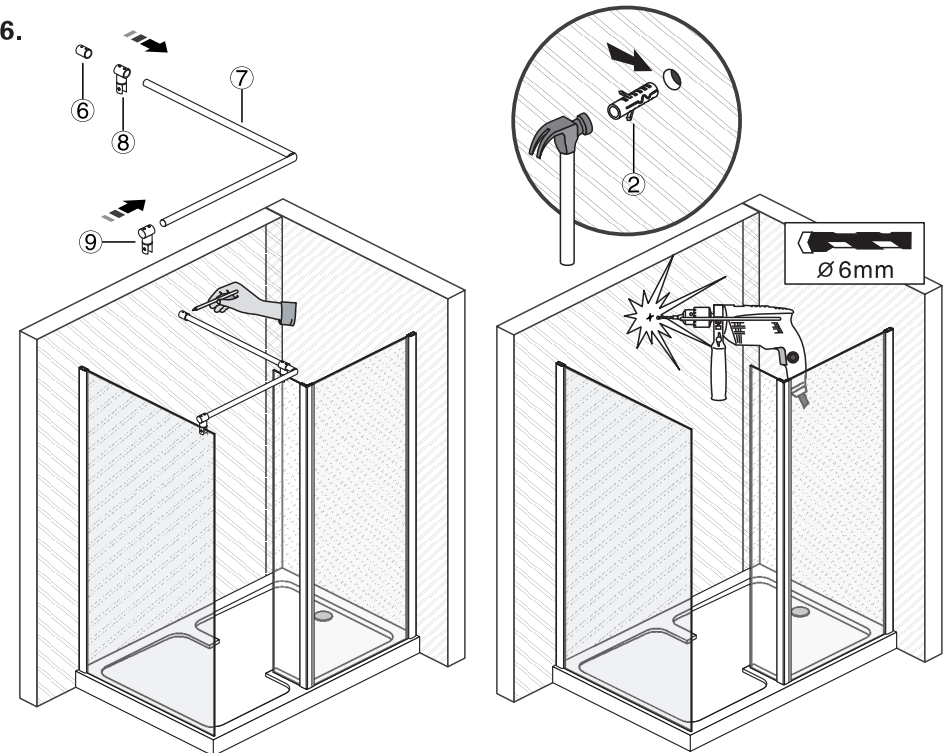
This product is heavy and may require two people to install.



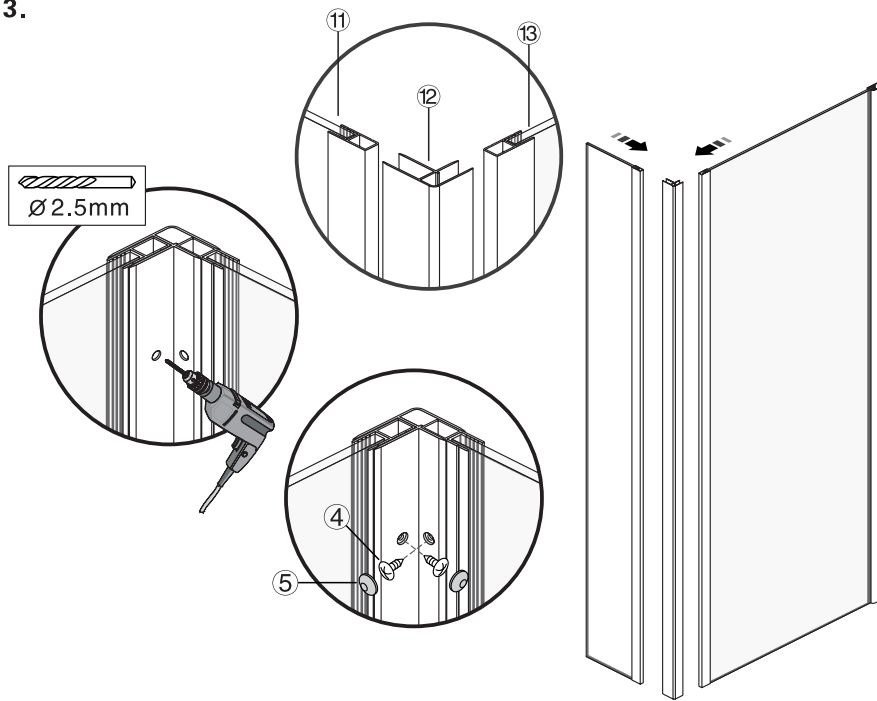
5.



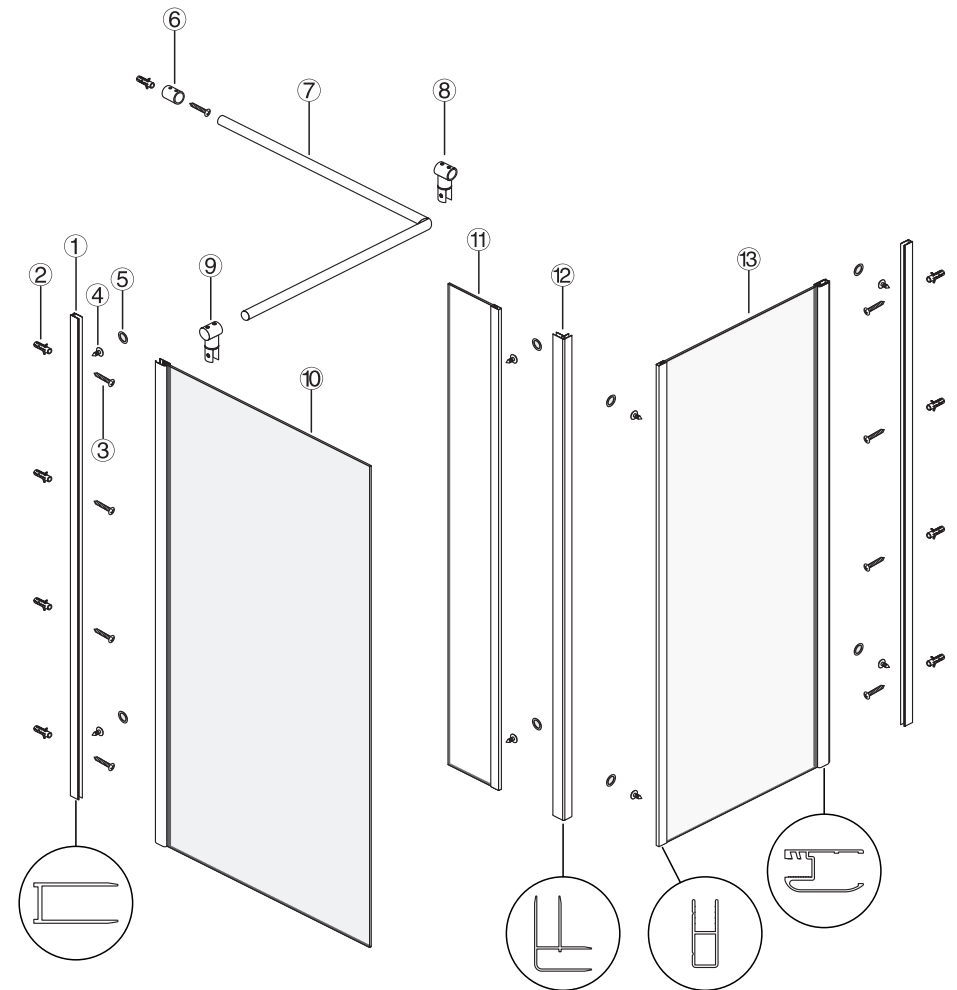
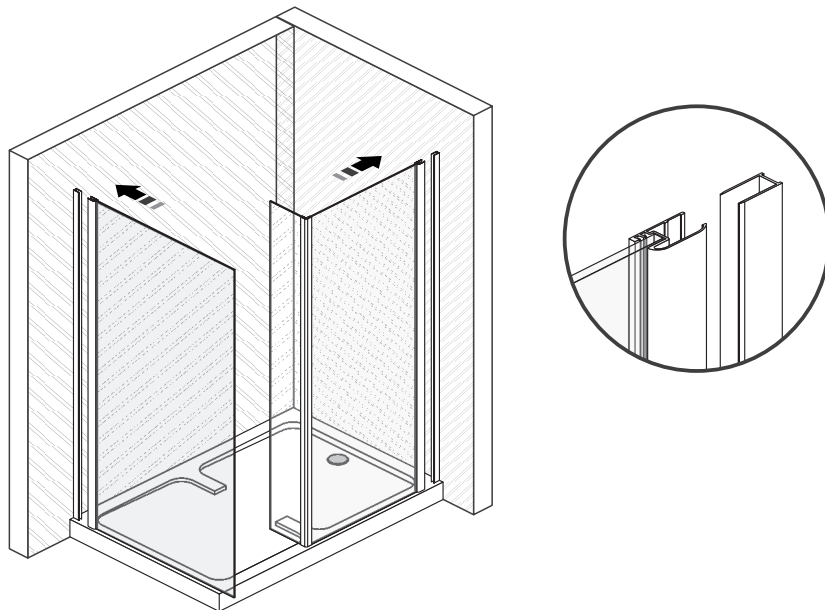
6.



3.










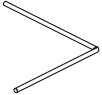
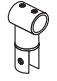

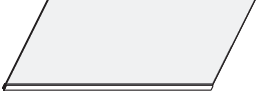



4.



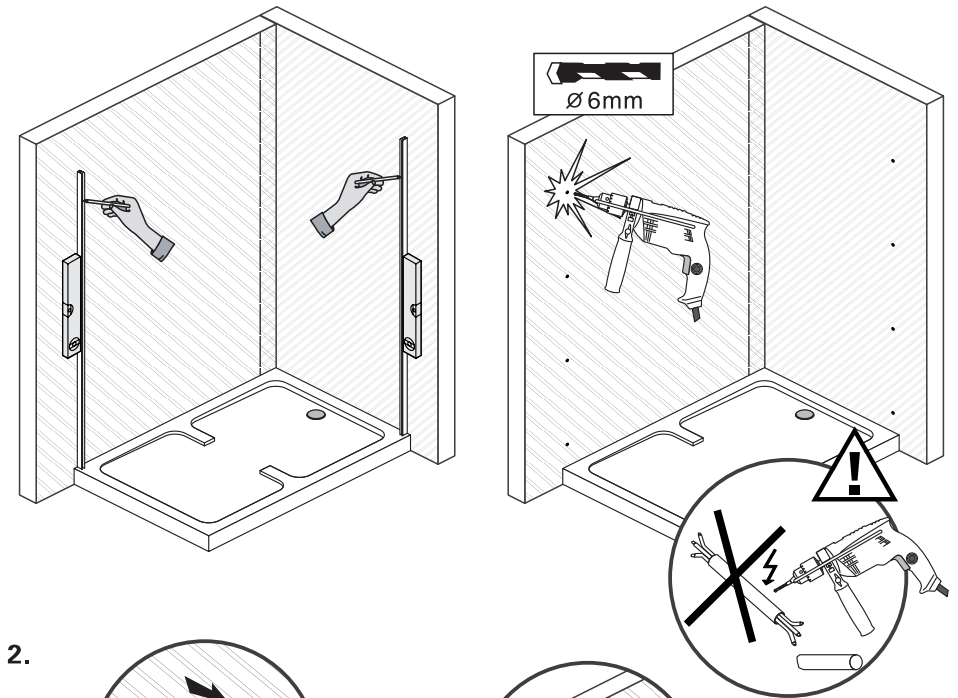
- ① 2x Wall Post
- ② 9x Wall Plugs
- ③ 9x Screw $\varnothing 4 \times 30$
- ④ 8x Screw $\varnothing 4 \times 10$
- ⑤ 8x Screw Cover Caps
- ⑥ 1x Fixed cap
- ⑦ 1x Fixed rack

- ⑧ 1x Glass clip A
- ⑨ 1x Glass clip B
- ⑩ 1x Fixed glass A
- ⑪ 1x Fixed glass B
- ⑫ 1x Vertical alum
- ⑬ 1x Fixed glass C

Box Contents

Item	Drawing	Pre-Fitting
1x Installation		NO
① 2x Wall Post		NO
② 9x Wall Plugs		NO
③ 9x Screw Ø4x30		NO
④ 8x Screw Ø4x10		NO
⑤ 8x Screw Cover Caps		NO
⑥ 1x Fixed cap		NO
⑦ 1x Fixed rack		NO
⑧ 1x Glass clip A		NO
⑨ 1x Glass clip B		NO
⑩ 1x Fixed glass A		NO
⑪ 1x Fixed glass B		NO
⑫ 1x Vertical alum		NO
⑬ 1x Fixed glass C		NO

1.



2.

