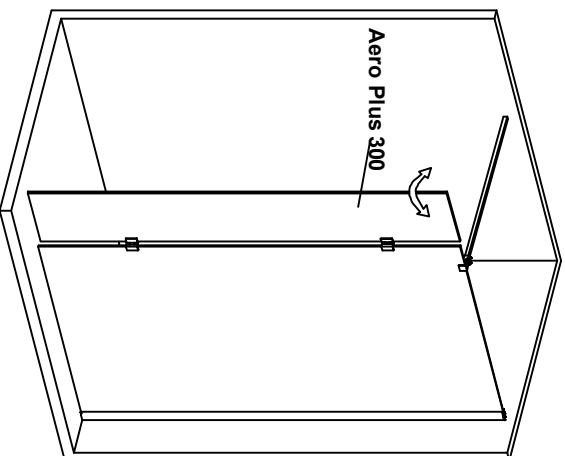
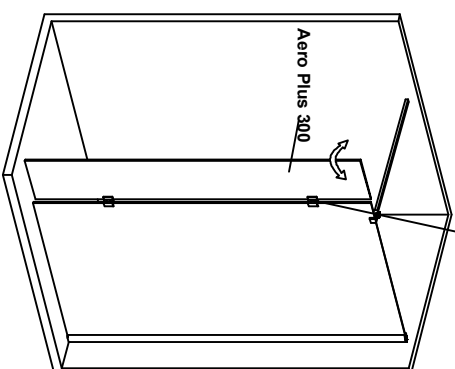
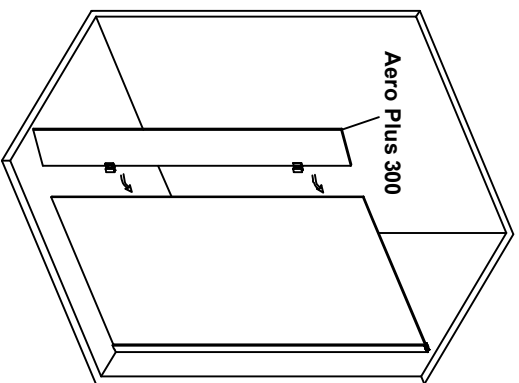
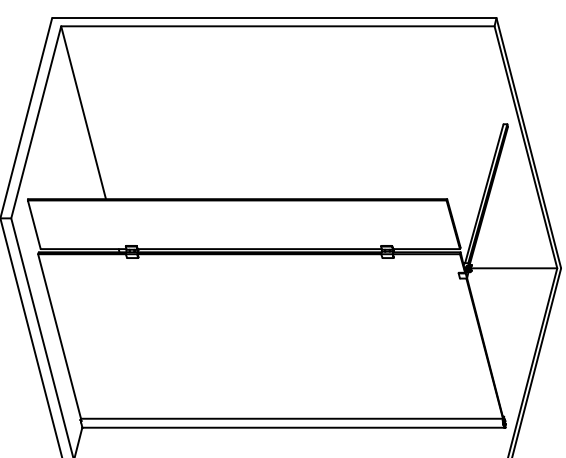


If you have brought Aero Plus 300
Please install the Aero Plus 300 with two hinges onto the fixed glass

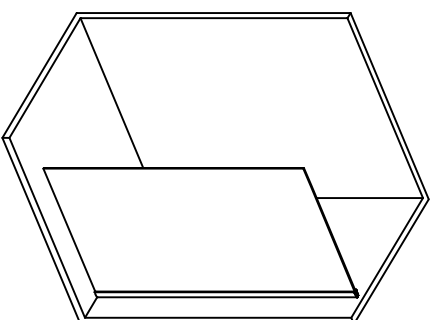
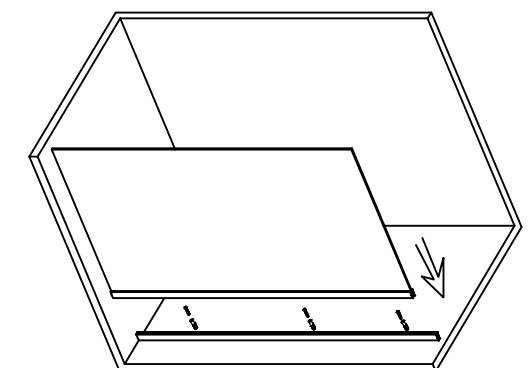




3



Instruction Manual

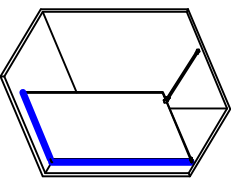
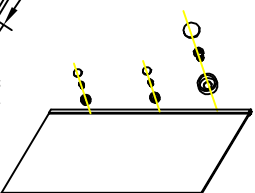
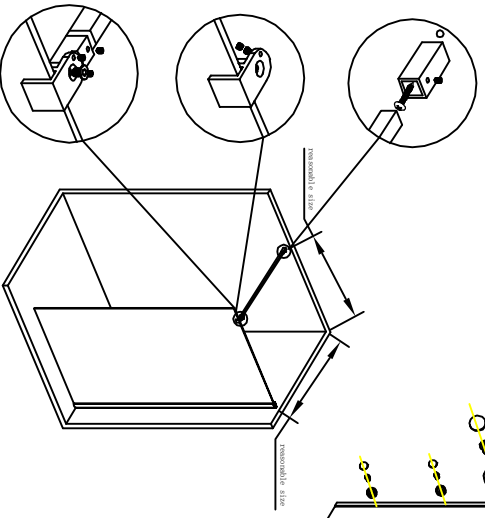



Aero Series
Aero Plus 300



- 3X  M4X30
- 3X 

- 1X  M4X30
- 1X 



- 3X  M3.5X9



24 hour

2

1