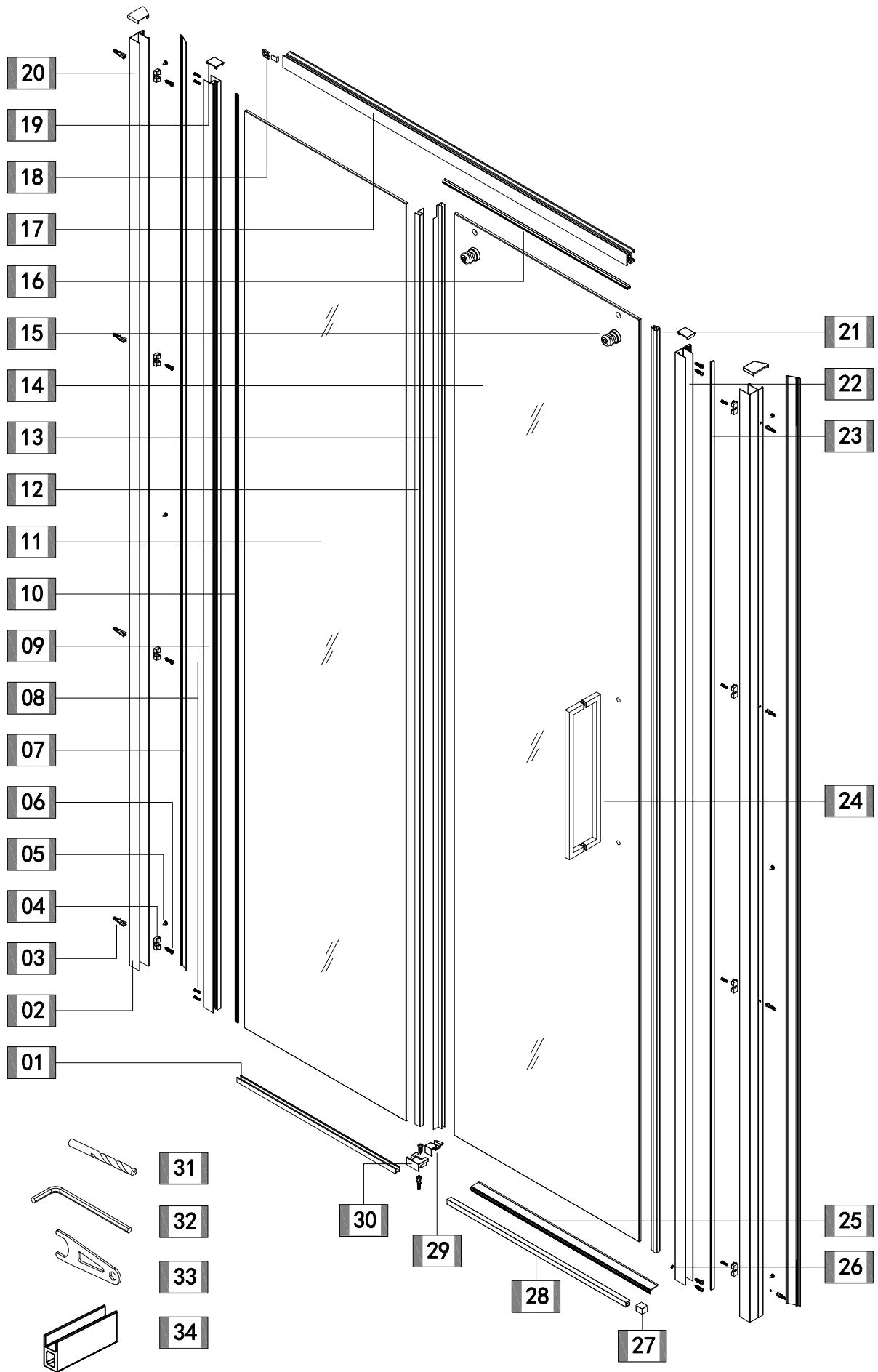
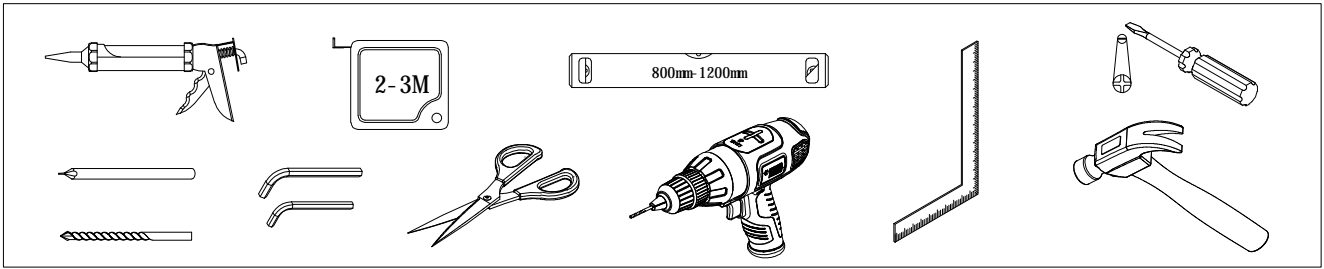


RAPID SLIDE

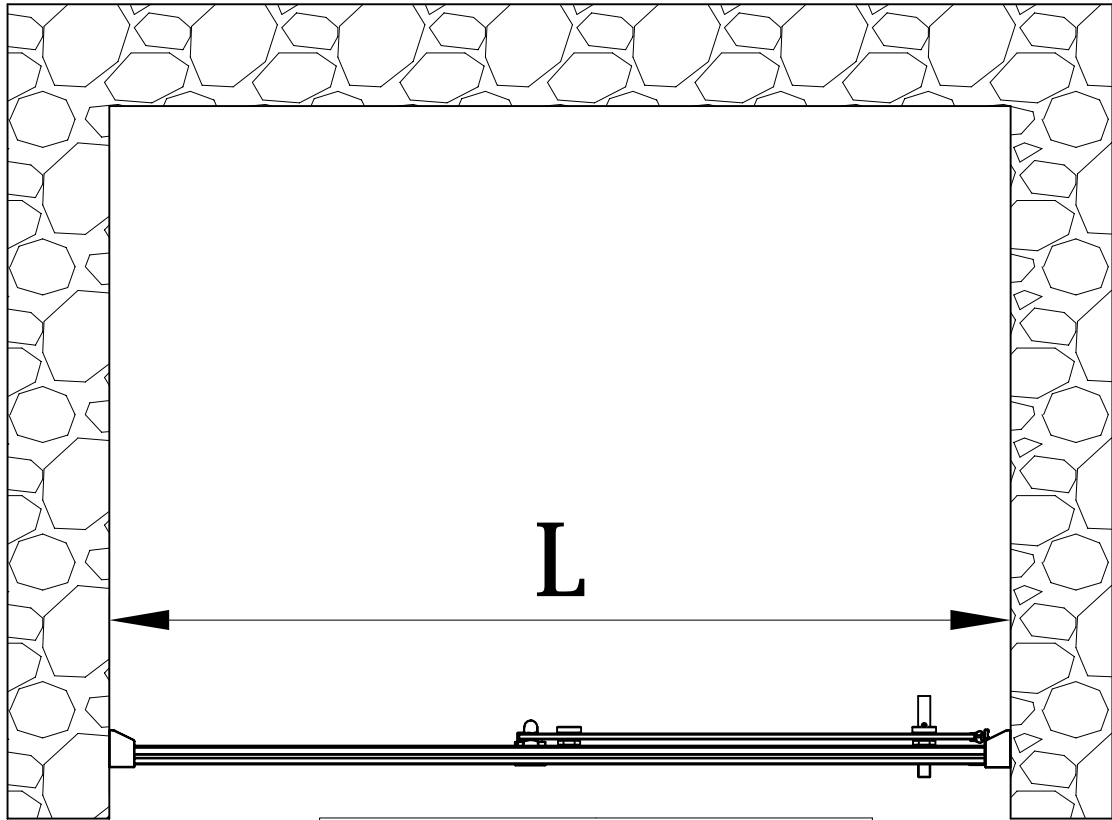


Tools

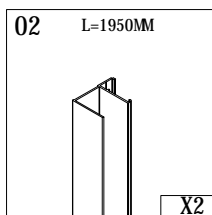
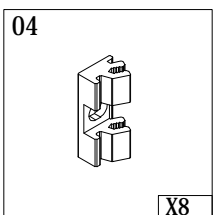
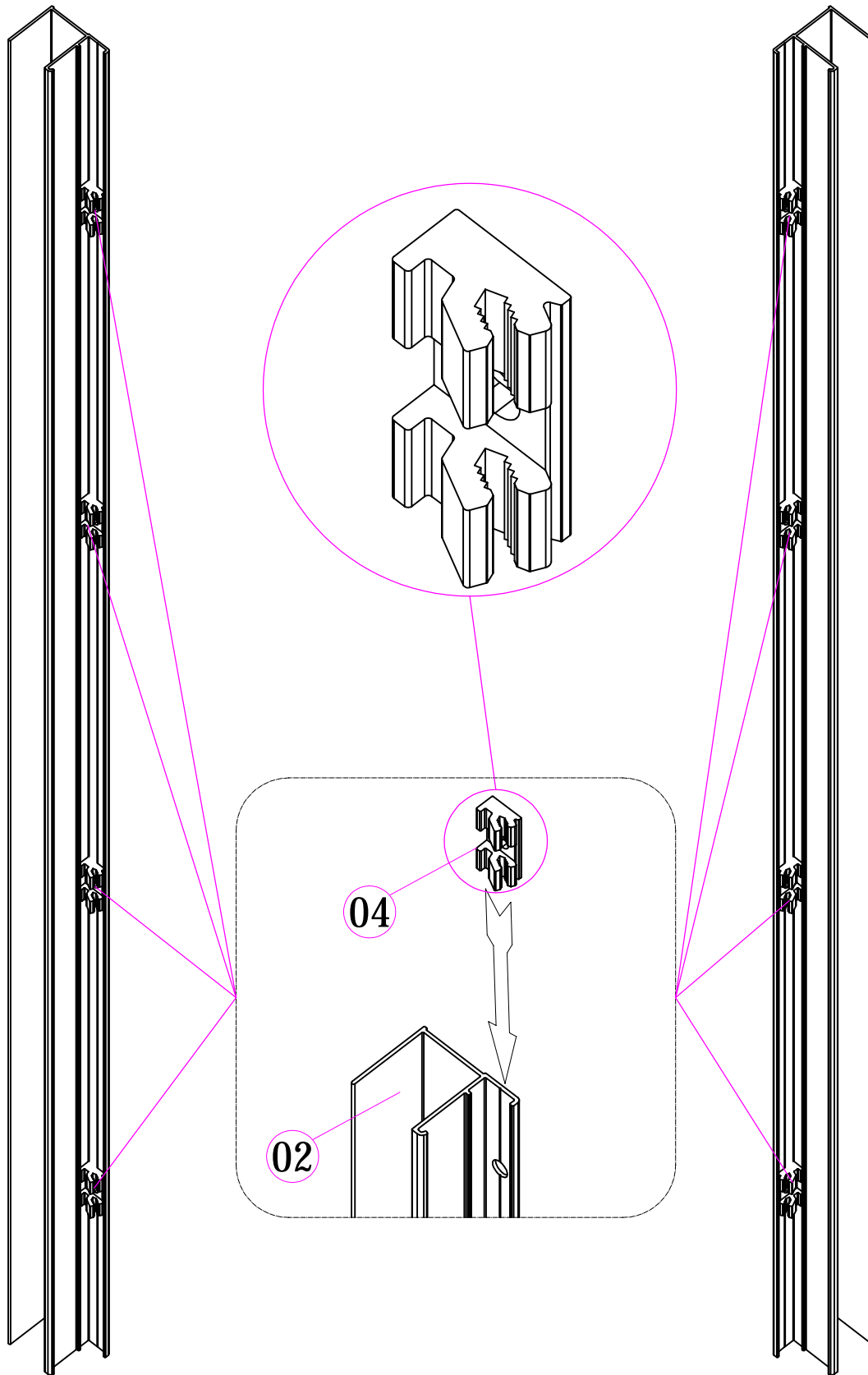


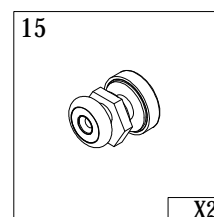
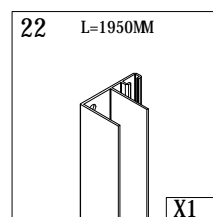
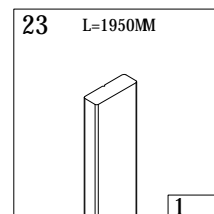
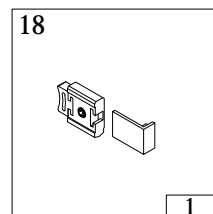
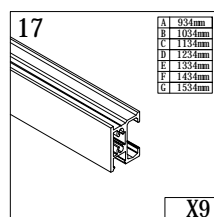
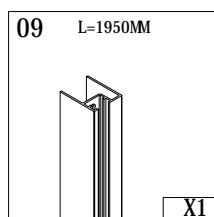
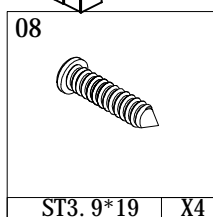
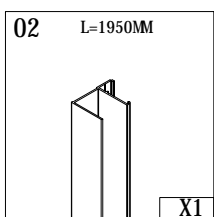
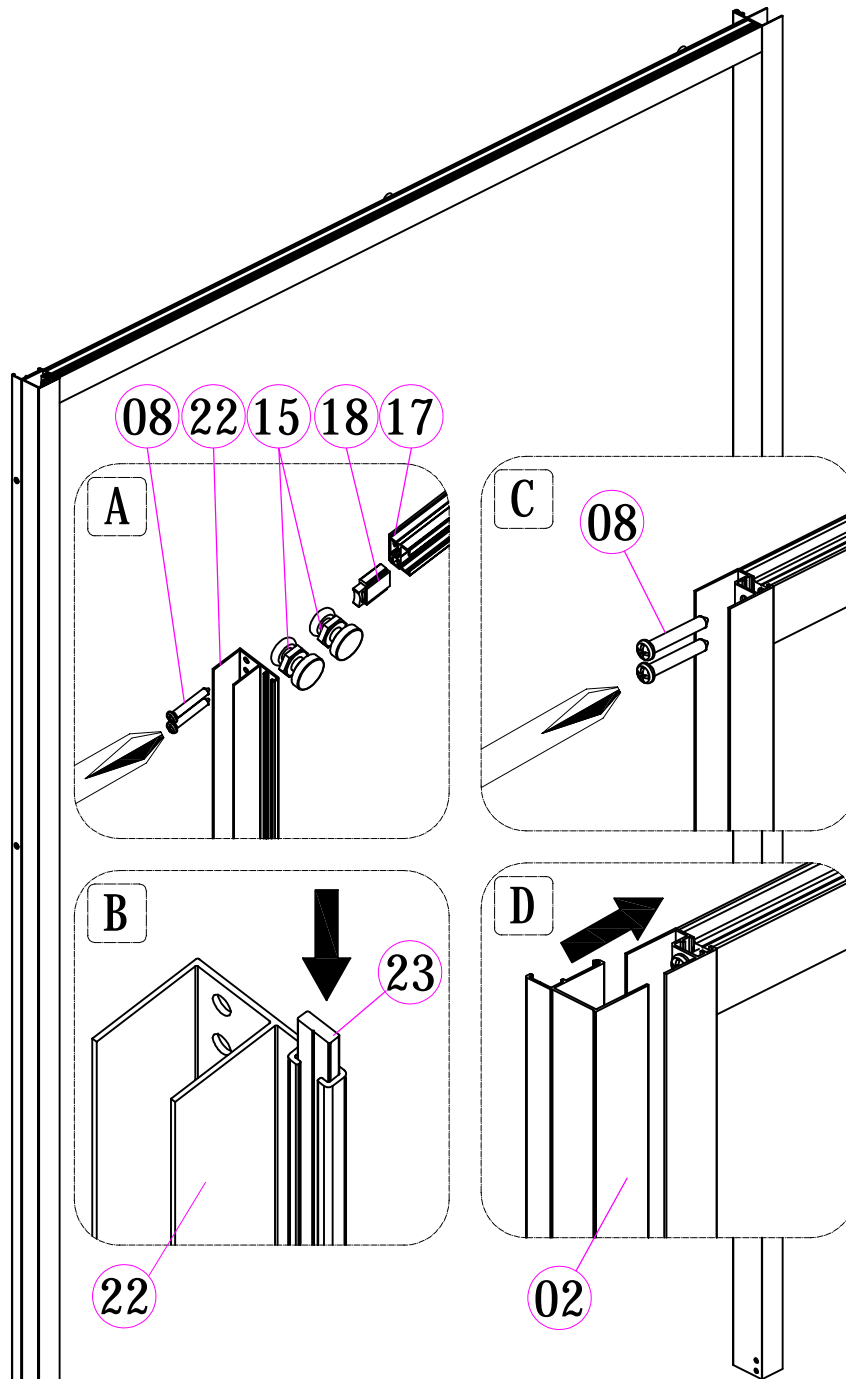
All accessories

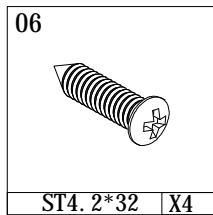
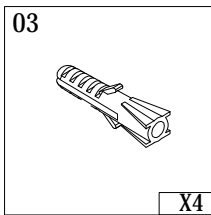
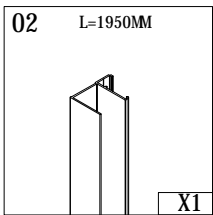
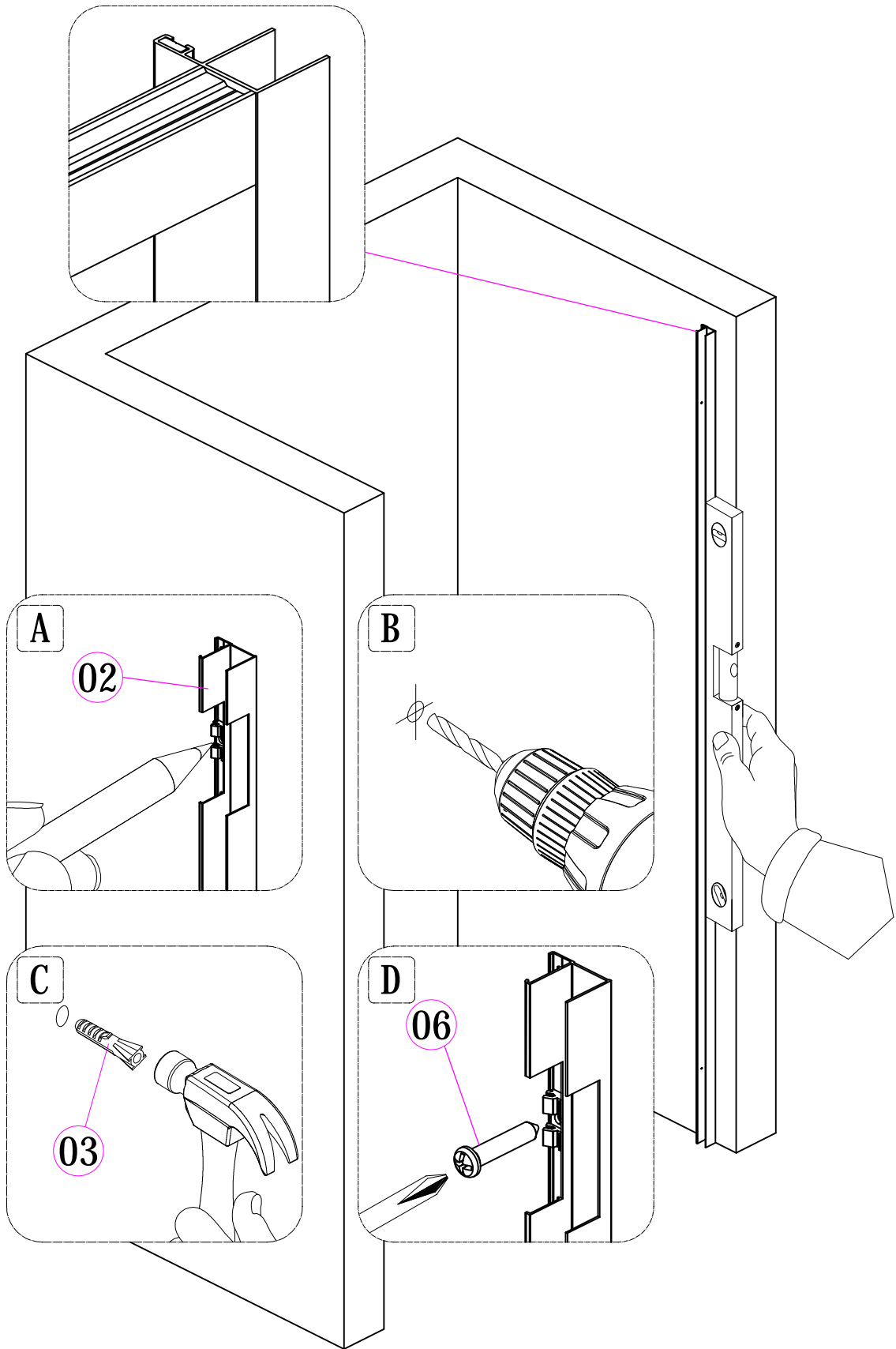
<p>01</p> <table border="1"> <tr><td>A</td><td>427mm</td></tr> <tr><td>B</td><td>477mm</td></tr> <tr><td>C</td><td>527mm</td></tr> <tr><td>D</td><td>577mm</td></tr> <tr><td>E</td><td>677mm</td></tr> <tr><td>F</td><td>777mm</td></tr> <tr><td>G</td><td>877mm</td></tr> </table> <p>X1</p>	A	427mm	B	477mm	C	527mm	D	577mm	E	677mm	F	777mm	G	877mm	<p>02 L=1950MM</p> <p>X2</p>	<p>03</p> <p>X9</p>	<p>04</p> <p>X8</p>	<p>05</p> <p>ST4*8 X6</p>	<p>06</p> <p>ST4.2*32 X9</p>																						
A	427mm																																								
B	477mm																																								
C	527mm																																								
D	577mm																																								
E	677mm																																								
F	777mm																																								
G	877mm																																								
<p>07 L=1950MM</p> <p>X2</p>	<p>08</p> <p>ST3.9*19 X4</p>	<p>09 L=1950MM</p> <p>X1</p>	<p>10 L=1950MM</p> <p>X1</p>	<p>11</p> <table border="1"> <tr><td>A</td><td>1928*435mm</td></tr> <tr><td>B</td><td>1928*485mm</td></tr> <tr><td>C</td><td>1928*535mm</td></tr> <tr><td>D</td><td>1928*585mm</td></tr> <tr><td>E</td><td>1928*635mm</td></tr> <tr><td>F</td><td>1928*685mm</td></tr> <tr><td>G</td><td>1928*735mm</td></tr> <tr><td>H</td><td>1928*785mm</td></tr> <tr><td>I</td><td>1928*835mm</td></tr> </table> <p>X1</p>	A	1928*435mm	B	1928*485mm	C	1928*535mm	D	1928*585mm	E	1928*635mm	F	1928*685mm	G	1928*735mm	H	1928*785mm	I	1928*835mm	<p>12 L=1915MM</p> <p>X1</p>																		
A	1928*435mm																																								
B	1928*485mm																																								
C	1928*535mm																																								
D	1928*585mm																																								
E	1928*635mm																																								
F	1928*685mm																																								
G	1928*735mm																																								
H	1928*785mm																																								
I	1928*835mm																																								
<p>13 L=1938MM</p> <p>X1</p>	<p>14</p> <table border="1"> <tr><td>A</td><td>1938*510mm</td></tr> <tr><td>B</td><td>1938*560mm</td></tr> <tr><td>C</td><td>1938*610mm</td></tr> <tr><td>D</td><td>1938*660mm</td></tr> </table> <p>X1</p>	A	1938*510mm	B	1938*560mm	C	1938*610mm	D	1938*660mm	<p>15</p> <p>X2</p>	<p>16</p> <table border="1"> <tr><td>A</td><td>934mm</td></tr> <tr><td>B</td><td>1034mm</td></tr> <tr><td>C</td><td>1134mm</td></tr> <tr><td>D</td><td>1234mm</td></tr> <tr><td>E</td><td>1334mm</td></tr> <tr><td>F</td><td>1434mm</td></tr> <tr><td>G</td><td>1534mm</td></tr> </table> <p>X1</p>	A	934mm	B	1034mm	C	1134mm	D	1234mm	E	1334mm	F	1434mm	G	1534mm	<p>17</p> <table border="1"> <tr><td>A</td><td>934mm</td></tr> <tr><td>B</td><td>1034mm</td></tr> <tr><td>C</td><td>1134mm</td></tr> <tr><td>D</td><td>1234mm</td></tr> <tr><td>E</td><td>1334mm</td></tr> <tr><td>F</td><td>1434mm</td></tr> <tr><td>G</td><td>1534mm</td></tr> </table> <p>X9</p>	A	934mm	B	1034mm	C	1134mm	D	1234mm	E	1334mm	F	1434mm	G	1534mm	<p>18</p> <p>X1</p>
A	1938*510mm																																								
B	1938*560mm																																								
C	1938*610mm																																								
D	1938*660mm																																								
A	934mm																																								
B	1034mm																																								
C	1134mm																																								
D	1234mm																																								
E	1334mm																																								
F	1434mm																																								
G	1534mm																																								
A	934mm																																								
B	1034mm																																								
C	1134mm																																								
D	1234mm																																								
E	1334mm																																								
F	1434mm																																								
G	1534mm																																								
<p>19</p> <p>X2</p>	<p>20</p> <p>X2</p>	<p>21 L=1938MM</p> <p>X1</p>	<p>22 L=1950MM</p> <p>X1</p>	<p>23 L=1950MM</p> <p>X1</p>	<p>24</p> <p>315</p> <p>35</p> <p>X1</p>																																				
<p>25</p> <table border="1"> <tr><td>A</td><td>492mm</td></tr> <tr><td>B</td><td>542mm</td></tr> <tr><td>C</td><td>592mm</td></tr> <tr><td>D</td><td>642mm</td></tr> </table> <p>X1</p>	A	492mm	B	542mm	C	592mm	D	642mm	<p>26</p> <p>X1</p>	<p>27</p> <p>X1</p>	<p>28</p> <table border="1"> <tr><td>A</td><td>492mm</td></tr> <tr><td>B</td><td>542mm</td></tr> <tr><td>C</td><td>592mm</td></tr> <tr><td>D</td><td>642mm</td></tr> </table> <p>X1</p>	A	492mm	B	542mm	C	592mm	D	642mm	<p>29</p> <p>X1</p>	<p>30</p> <p>X2</p>																				
A	492mm																																								
B	542mm																																								
C	592mm																																								
D	642mm																																								
A	492mm																																								
B	542mm																																								
C	592mm																																								
D	642mm																																								
<p>31</p> <p>X1</p>	<p>32</p> <p>X1</p>	<p>33</p> <p>X1</p>	<p>34</p> <p>X2</p>																																						

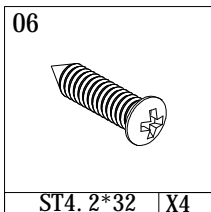
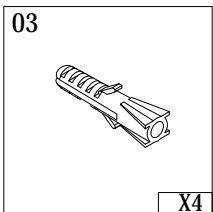
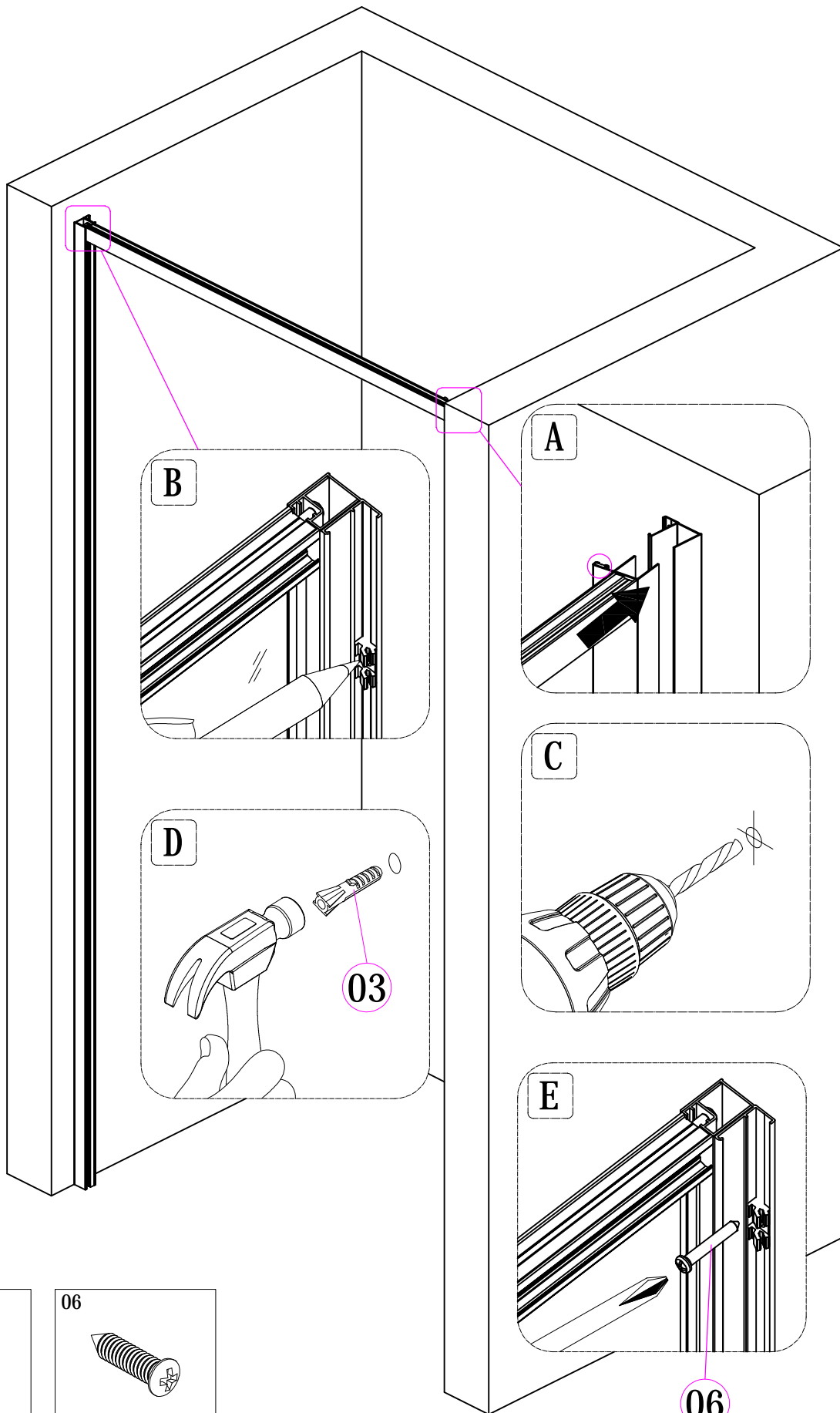


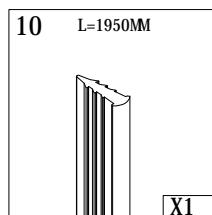
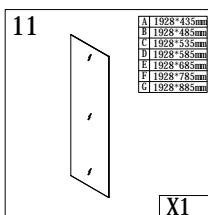
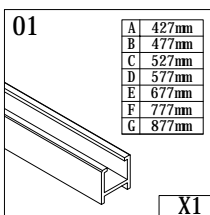
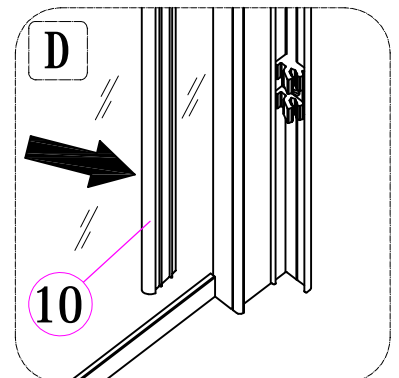
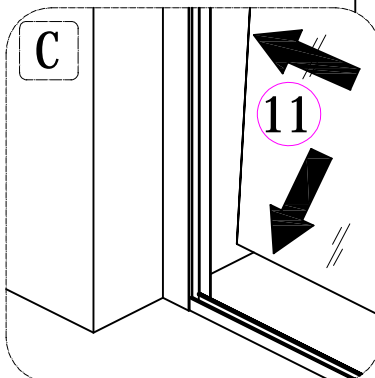
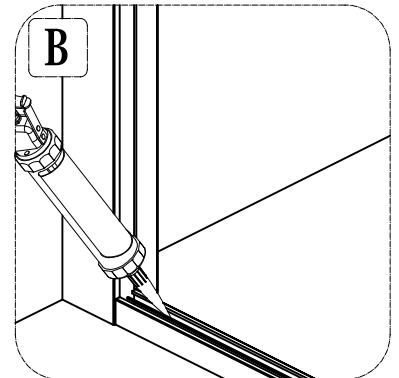
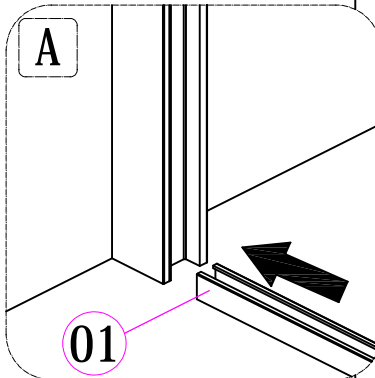
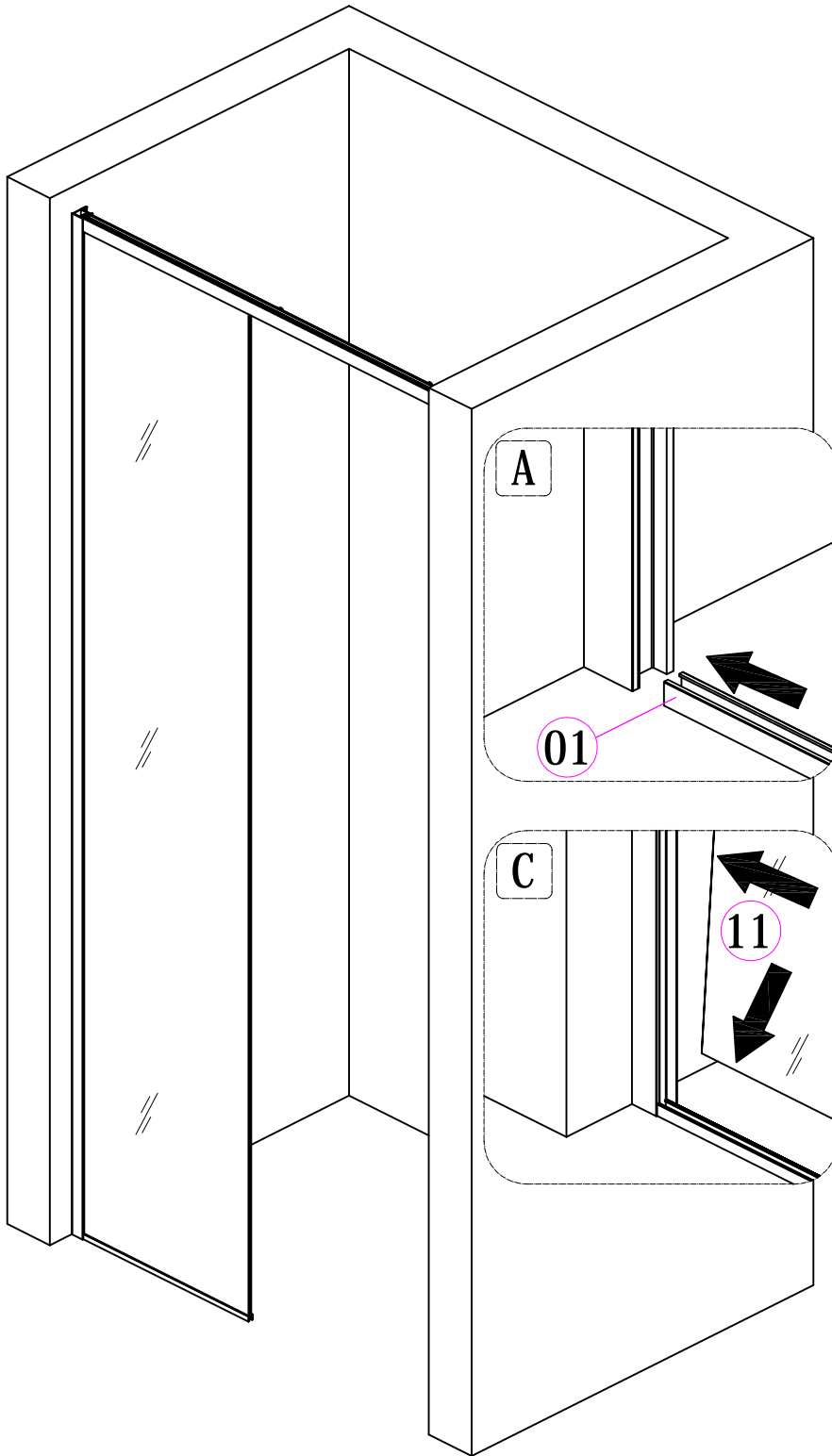
L	
985-1015	1085-1115
1185-1215	1285-1315
1385-1415	1485-1515
1585-1615	

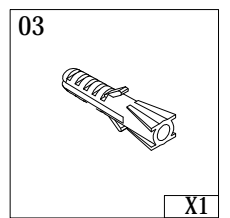
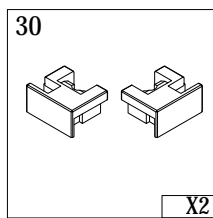
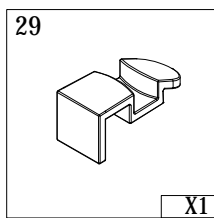
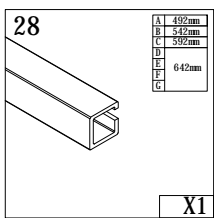
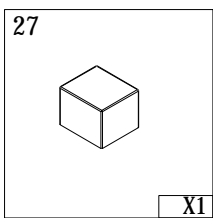
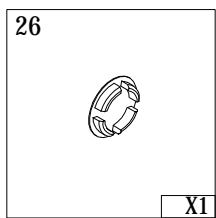
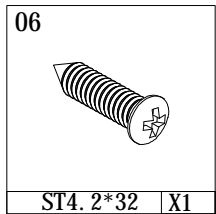
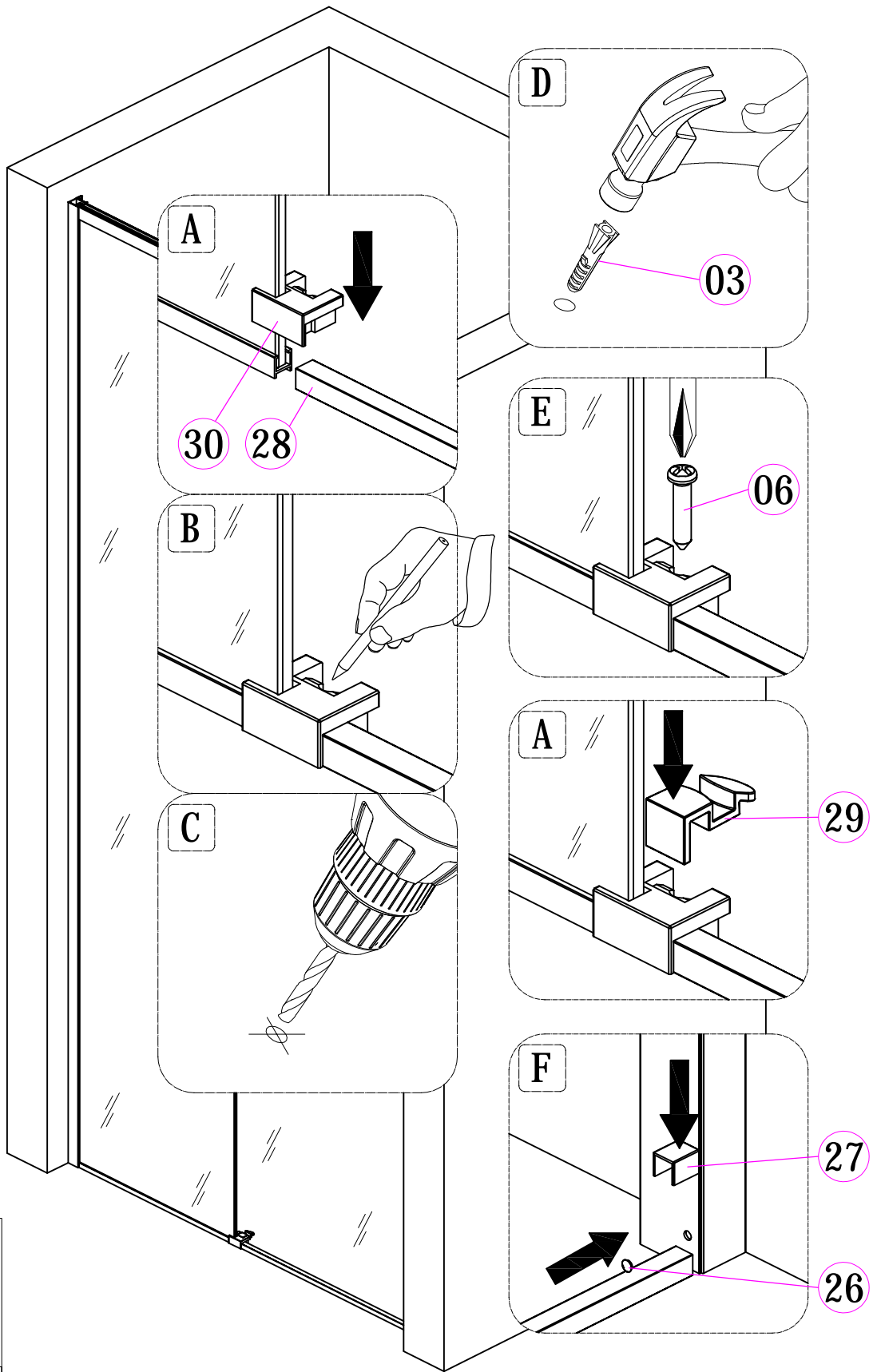


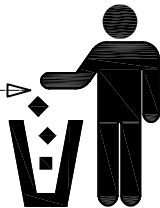
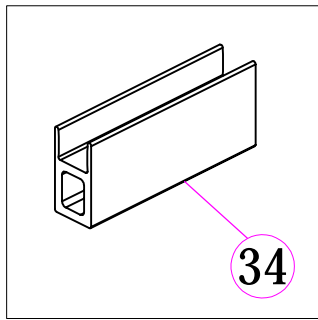
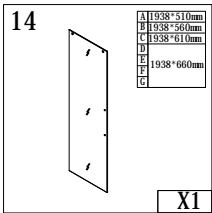
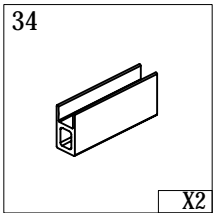
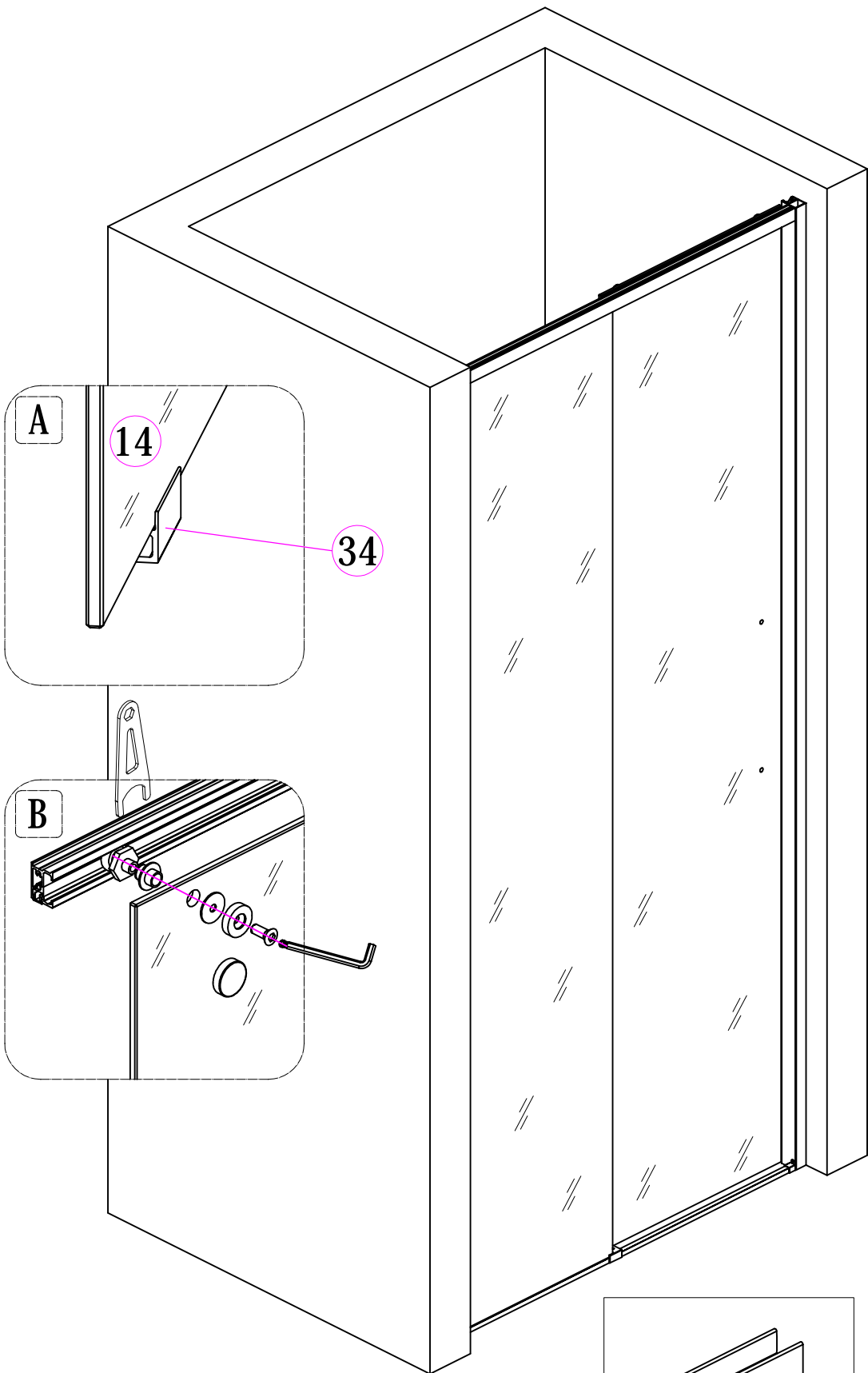


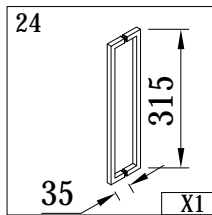
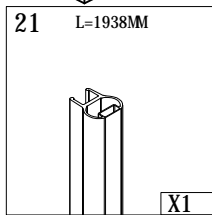
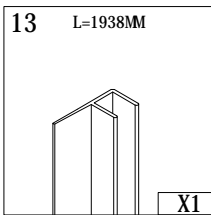
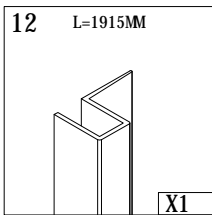
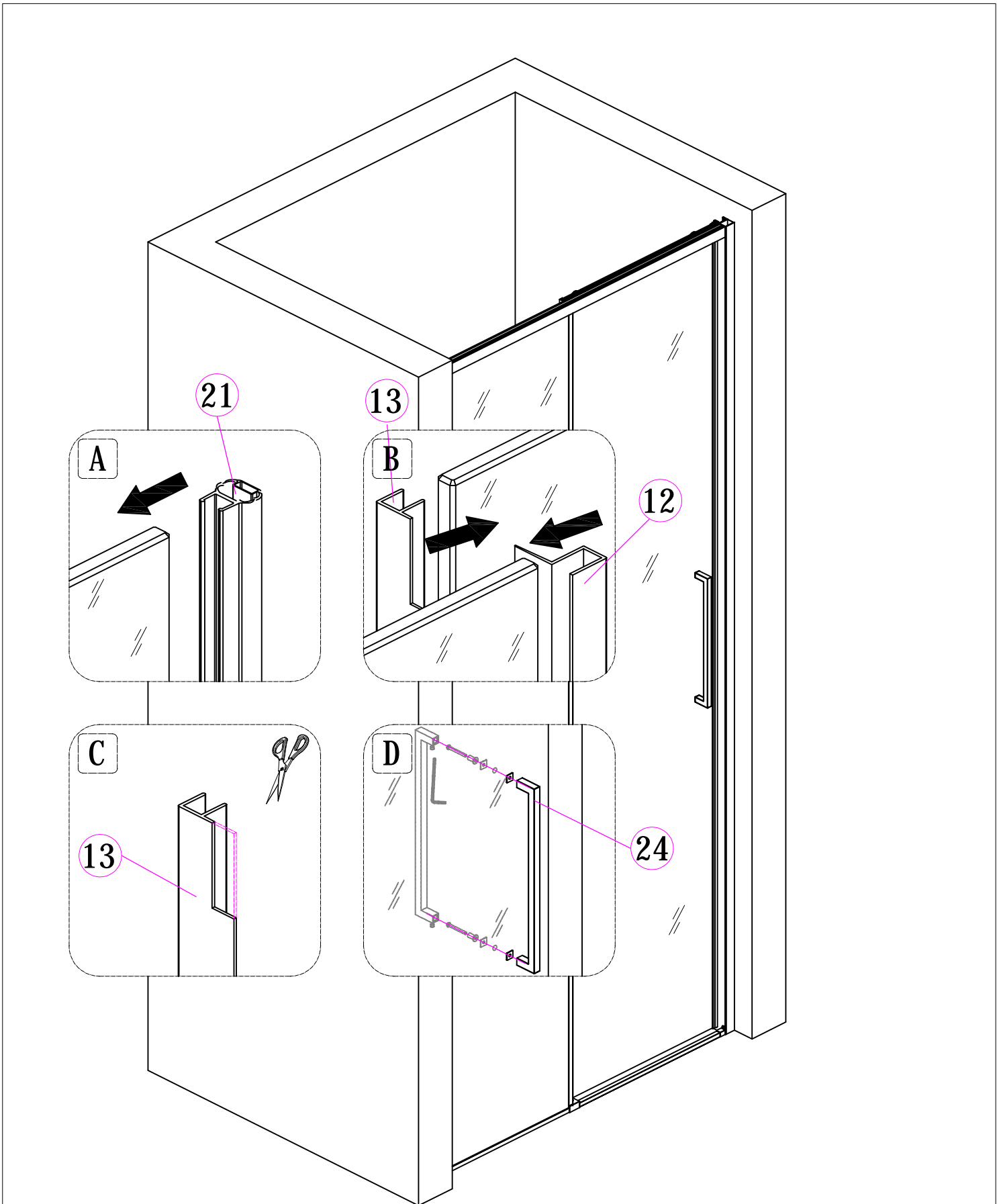


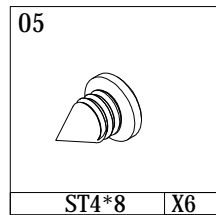
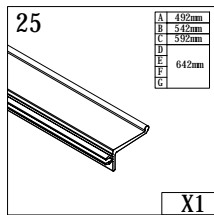
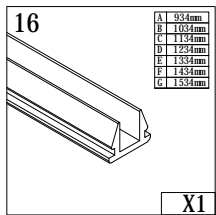
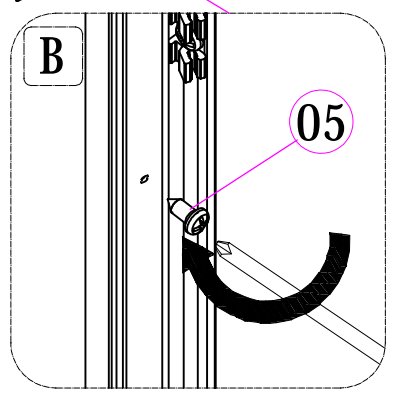
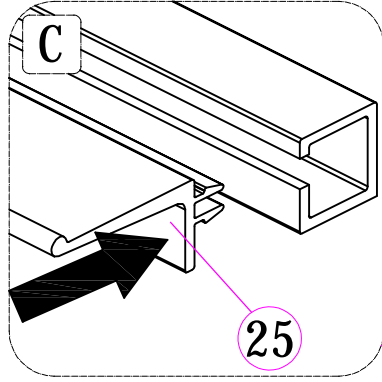
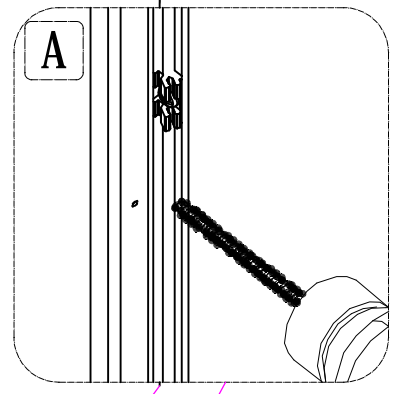
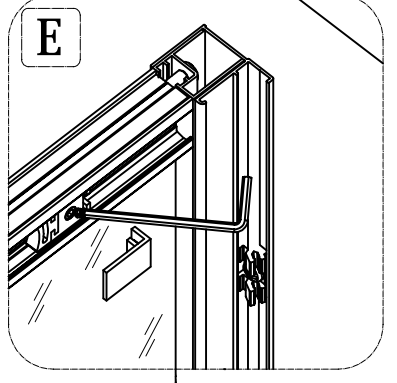
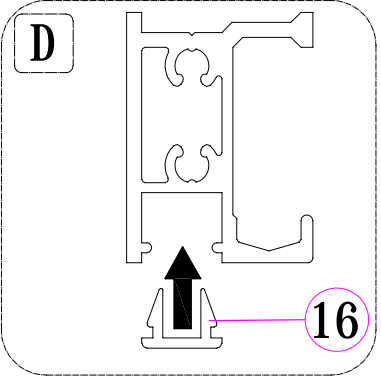
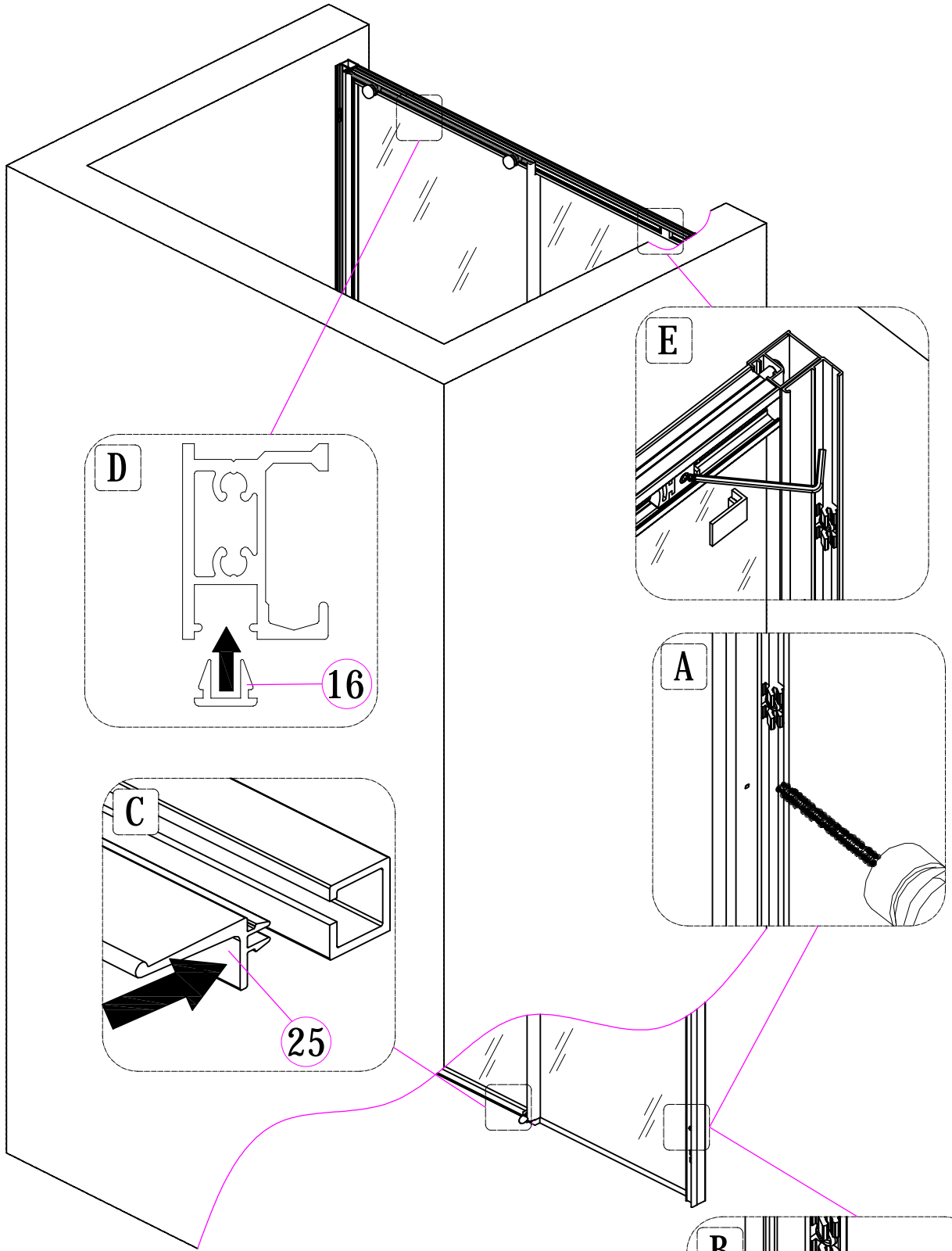




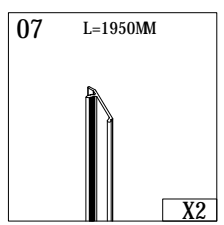
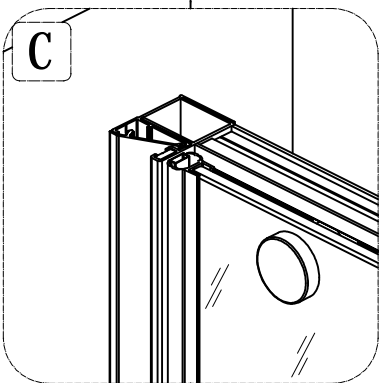
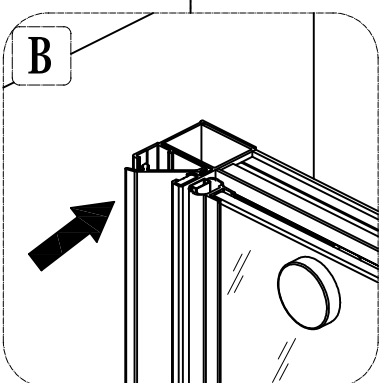
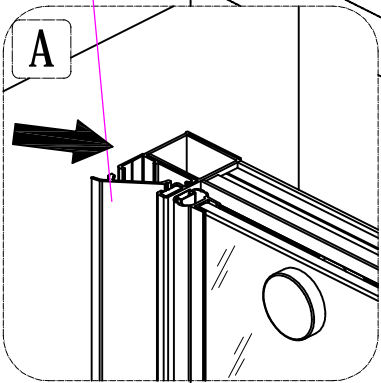


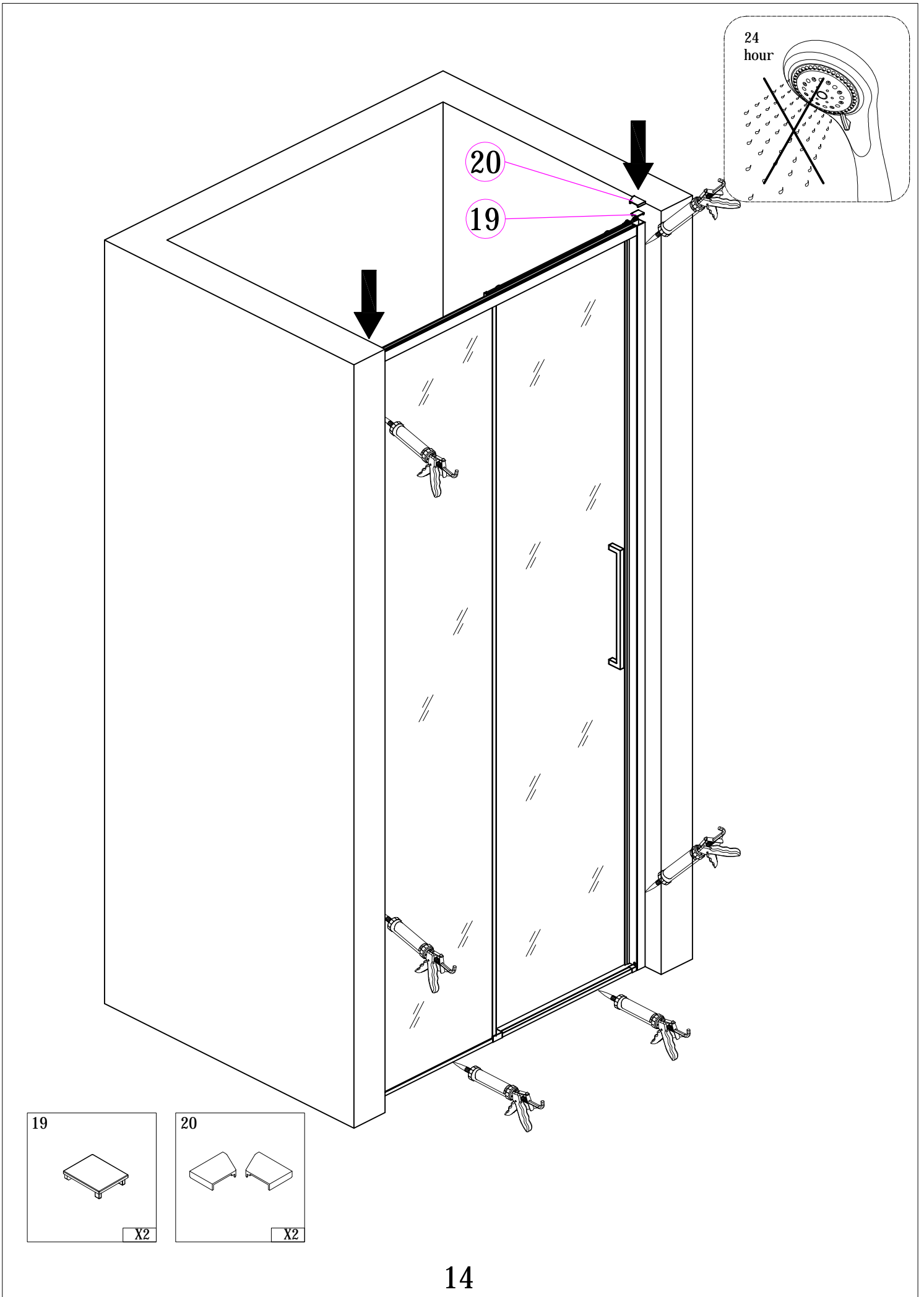






07





24
hour

20

19

